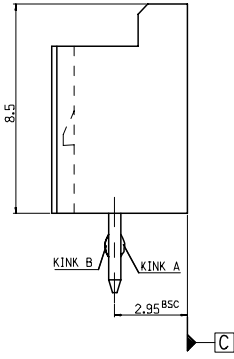
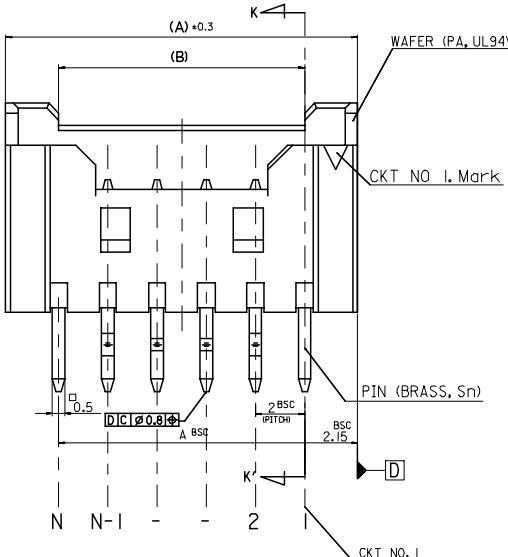
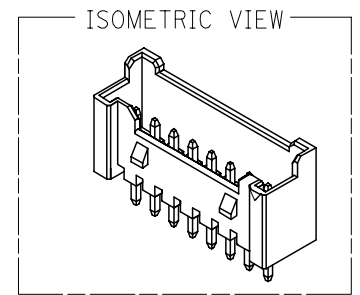
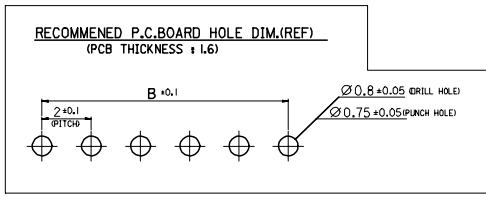
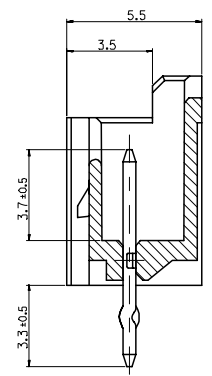
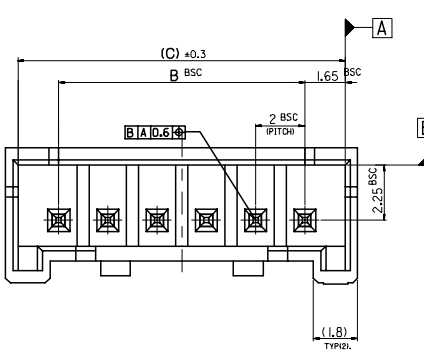


10 9 8 7 6 5 4 3 2 1



LEGEND

SD-35362-****

CKT NO. _____ COLOR _____

FINAL GOOD (BULK) 5 : SELECTIVE KINK (LEAD FREE)
6 : NONE KINK (LEAD FREE)

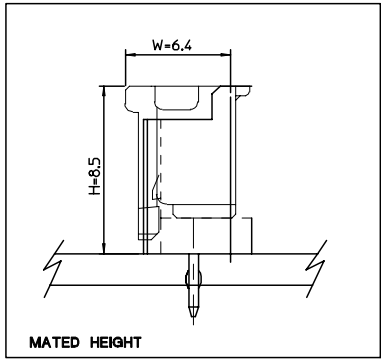
SUB ASSY (TUBE) 7 : SELECTIVE KINK (LEAD FREE)
8 : NONE KINK (LEAD FREE)

0 : NATURAL
1 : BLACK
2 : RED
3 : YELLOW
4 : BLUE
5 : GREEN
6 : TUBE PACKING (Natural Color)
7 : TUBE PACKING (Red Color)
8 : TUBE PACKING (Blue Color)

- NOTES**
- ① MATERIAL : UNFILLED POLYAMIDE, UL94V-0
PIN : BRASS, TIN PLATED
 2. FINISHES : TERMINAL : Sn 2-3um OVERALL
 3. PRODUCT SPECIFICATION : PS-35507-003
 4. MATING HOUSING : 35507-***0
MATING TERMINAL : 50212-8000
 5. KINK

CKT NO	1	2	3	4	5	N-2	N-1	N
6 CKT OVER	-	A	B	-	-	B	A	-
5 CKT	A	B	-	B	A			
4 CKT	A	B	B	A				

31.3	28	32.3	3536215**	35362-15**	15
29.3	26	30.3	3536214**	35362-14**	14
27.3	24	28.3	3536213**	35362-13**	13
25.3	22	26.3	3536212**	35362-12**	12
23.3	20	24.3	3536211**	35362-11**	11
21.3	18	22.3	3536210**	35362-10**	10
19.3	16	20.3	3536209**	35362-09**	9
17.3	14	18.3	3536208**	35362-08**	8
15.3	12	16.3	3536207**	35362-07**	7
13.3	10	14.3	3536206**	35362-06**	6
12.3	8	12.3	3536205**	35362-05**	5
9.3	6	10.3	3536204**	35362-04**	4
.	.	.	ENG. NO.	ENG. NO.	CKT



LEAD FREE

30 over	±0.3
10 over 30 under	±0.25
10 under	±0.2
ANGLE	±3°
GENERAL TOLERANCE	

REVISED
EC NO: KOR2007-0144
DRWN:HJEONG 2007/05/11
CHKD:YSOOKIM 2007/05/22
APPR:YUNSIKKIM 2007/05/29

QUALITY SYMBOLS
▽=0
△=0

GENERAL TOLERANCES (UNLESS SPECIFIED)

	mm	INCH
4 PLACES	±---	±---
3 PLACES	±---	±---
2 PLACES	±---	±---
1 PLACE	±---	±---
ANGULAR ±---°		

DRAFT WHERE APPLICABLE
MUST REMAIN WITHIN DIMENSIONS

DIMENSION STYLE
MM ONLY

DRAWN BY YSOOKIM DATE 1996/09/11
CHECKED BY DATE 1996/09/11
APPROVED BY CWLEE DATE 1996/09/11

MATERIAL NO.
ENTER PART

SIZE A3

SCALE 5:1
DESIGN UNITS METRIC
THIRD ANGLE PROJECTION

TITLE 2.0 W/B WAFER ASS'Y -LEAD FREE-

MOLEX MOLEX INCORPORATED
DOCUMENT NO. SD-35362-002 SHEET NO. 1 OF 3

THIS DRAWING CONTAINS INFORMATION THAT IS PROPRIETARY TO MOLEX INCORPORATED AND SHOULD NOT BE USED WITHOUT WRITTEN PERMISSION

9 8 7 6 5 4 3 2 1

DWG. NO.
SD-35362-003

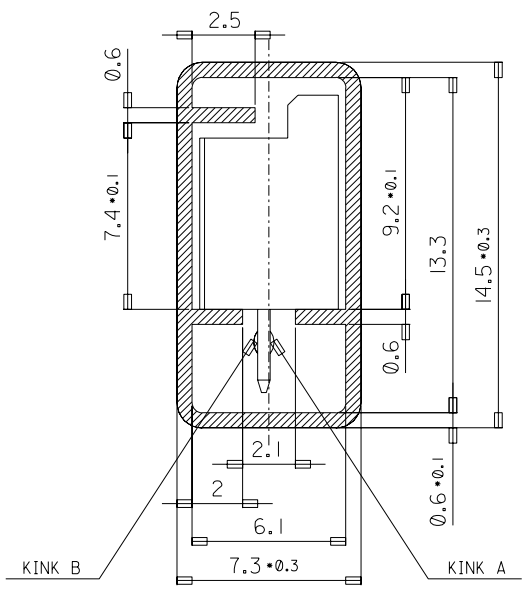
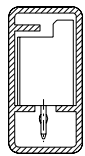
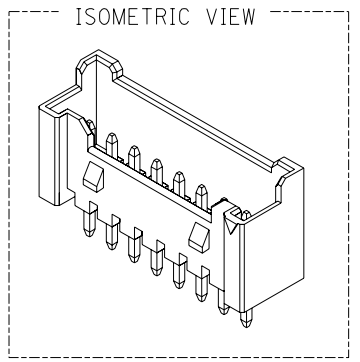
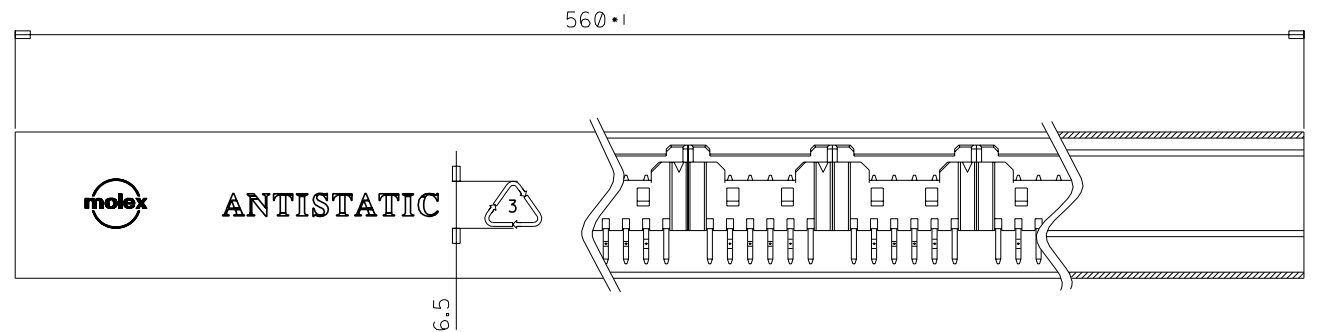
SIMILAR ITEM

PROJECT NO.

C

B

DO NOT SCALE DRAWING
DIMENSION IN METRIC



LEGEND.

E-35362-*** **

2-20 Circuits- [CKT NO.]

Final GOOD (Bulk) 5 : SELECTIVE KINK
 6 : NONE KINK

Sub Assy (Tube) 7 : SELECTIVE KINK
 8 : NONE KINK

[KINK]

COLOR & PACKING

- 0 : NATURAL
- 1 : BLACK
- 2 : RED
- 3 : YELLOW
- 4 : BLUE
- 5 : GREEN
- 6 : TUBE PACKING (Natural Color)
- 7 : TUBE PACKING (RED Color)
- 8 : TUBE PACKING (BLUE Color)

NOTES

1. MATERIAL : TUBE - TRANSLUCENT P.V.C (P-1000)
Wafer - POLYAMIDE, UL94V-0
PIN - BRASS SQ 0.5mm
2. BOW(CAMBER) : 1.0mm MAX/Total Length
3. DIMENSIONS GIVEN ACROSS CENTER LINES ARE SYMMETRICAL ABOUT THOSE CENTER LINES WITH HALF THE TOTAL LENGTH.
4. TOTAL TUBE LENGTH : 560mm ± 1mm
5. TWIST : 5° MAX./Total Length
6. BURRS : 0.2mm MAX.
7. SKEW : PRODUCTS MUST BE FLOWED SMOOTHLY WHEN THIS STICK IS PLACES 30° ANGLE.
8. THICKNESS : 0.6mm ± 0.1mm
9. ARTWORK : PER E-35900-0434
(SILK SCREEN COLOR : RED)
10. APPLICABLE STOPPER(RUBBER) : 35900-0435

TABLE

10	20**	-20**	20
10	19**	-19**	19
10	18**	-18**	18
10	17**	-17**	17
15	16**	-16**	16
15	15**	-15**	15
15	14**	-14**	14
15	13**	-13**	13
15	12**	-12**	12
20	11**	-11**	11
20	10**	-10**	10
25	09**	-09**	9
25	08**	-08**	8
30	07**	-07**	7
35	06**	-06**	6
40	05**	-05**	5
50	04**	-04**	4
60	03**	-03**	3
70	3536202**	35362-02**	2
QT'y	Material NO.	ENG. NO.	CKT

KINK TABLE(FOR 35362-****)

CKT NO	1	2	3	4	5	N-2	N-1	N
6 CKT OVER	-	A	B	-	-	B	A	-
5 CKT	A	B	-	B	A			
4 CKT	A	B	B	A				
3 CKT	A	B	A					
2 CKT	None Kink							

<p>RELEASED</p> <p>EC NO. KOR2004-0137</p> <p>DRWN: YSOOKIM 04/02/25</p> <p>CHK: YUNSIKKIM</p> <p>APPR: C.W.LEE</p>	<p>QUALITY SYMBOLS</p> <p>MAJOR</p> <p>CRITICAL</p>	<p>GENERAL TOLERANCES: (UNLESS SPECIFIED)</p> <table border="1"> <tr> <td></td> <td>mm</td> <td>INCH</td> </tr> <tr> <td>4 PLACES</td> <td>±0.</td> <td>±.</td> </tr> <tr> <td>3 PLACES</td> <td>±0.</td> <td>±.</td> </tr> <tr> <td>2 PLACES</td> <td>±0.</td> <td>±.</td> </tr> <tr> <td>1 PLACE</td> <td>±0.2</td> <td>±.</td> </tr> </table>		mm	INCH	4 PLACES	±0.	±.	3 PLACES	±0.	±.	2 PLACES	±0.	±.	1 PLACE	±0.2	±.	<p>SCALE</p> <p>5 : 1</p>	<p>DESIGN UNITS</p> <p><input checked="" type="checkbox"/> mm <input type="checkbox"/> INCH</p>	<p>THIRD ANGLE PROJECTION</p> <p><input type="checkbox"/> mm <input type="checkbox"/> INCH <input checked="" type="checkbox"/> mm ONLY</p>	<p>SHT</p> <p>REV</p>
				mm	INCH																
4 PLACES	±0.	±.																			
3 PLACES	±0.	±.																			
2 PLACES	±0.	±.																			
1 PLACE	±0.2	±.																			
<p>DESCRIPTION</p> <p>REV</p>	<p>ANGULAR: ± 1 °</p> <p>DRAFT WHERE APPLICABLE MUST REMAIN WITHIN DIMENSIONS</p>	<p>CAD FILENAME</p> <p>SD35362-003.DGN</p>	<p>DRAWN BY & DATE</p> <p>Y.SOO.Kim 00/12/11</p>	<p>CHECKED BY & DATE</p> <p>J.K.OH</p>	<p>APPROVED BY & DATE</p> <p>C.W.LEE</p>	<p>TITLE:</p> <p>TUBE PACKAGING FOR 35362-****(LEAD FREE)</p>															
<p>THIS DRAWING CONTAINS INFORMATION THAT IS PROPRIETARY TO MOLEX INCORPORATED AND SHOULD NOT BE USED WITHOUT WRITTEN PERMISSION.</p>			<p>MOLEX MOLEX INCORPORATED</p>	<p>MATERIAL NO.</p> <p>SEE TABLE</p>	<p>DRAWING NO.</p> <p>SD-35362-003</p>	<p>SHEET NO.</p> <p>1 of 1</p>															

LEAD FREE